



**Features**

Series:	V
Type:	90
Code:	09.925.076.10
Description:	V901010ENC12000
Customer's code:	-
Colour:	Yellow

**Last drawing**

Index:	-	Date:	-
--------	---	-------	---

**Application**

-
---

**Driveline data**

X	1 3/8" Z6 DIN 9611
Y	-
E	815-32.09"
I	830-32.68"
P	735-28.94"

**Overlap**

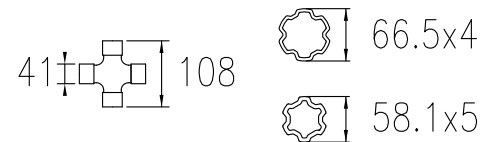
	Steel tubes	Guard
Max.	778-30.63"	715-28.15"
Min.	303-11.93"	240-9.45"

**Greasing point**

1)	-
2)	-

The dimensioning is cross to cross

**Cross and tubes**




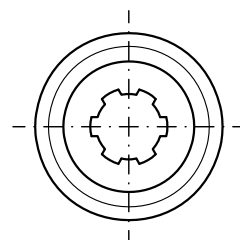
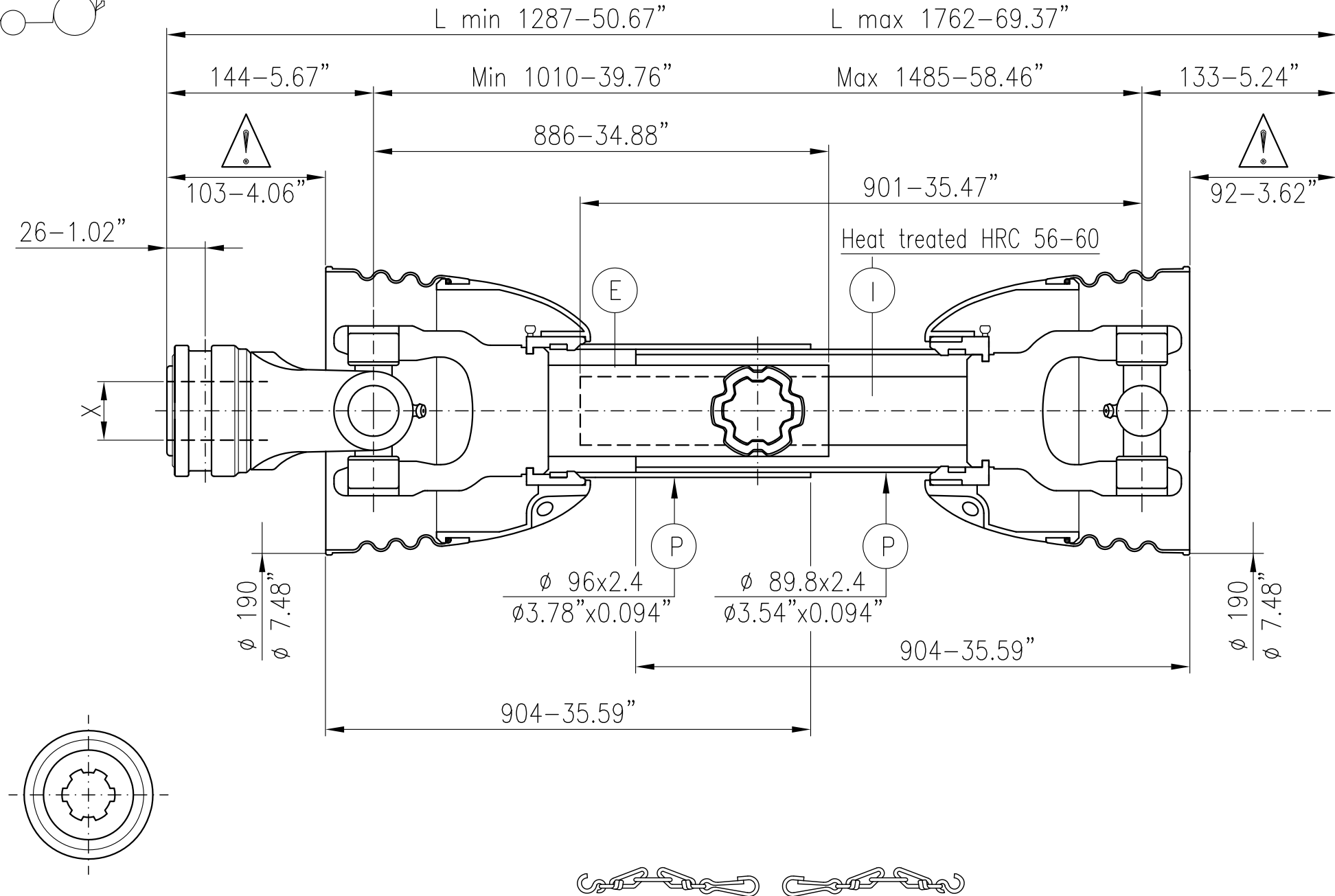
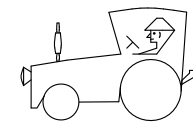
End fittings		Max. torque
Tractor	Cod: C12	-
Implement	Cod: 000	-

**Notes:**

CE CERTIFIED

**Warning !**

Sections of driveline marked  are not shielded and must be shielded by an interactive guarding system. COMER spa declines responsibility if proper guards are not provided or maintained.



Data 540 r.p.m.			
KW	CV	Nm.	in.lb.
88	120	1560	13800

Data 1000 r.p.m.			
KW	CV	Nm.	in.lb.
140	190	1340	11850

1100 min. <sup>-1</sup> r.p.m. max.
--

Data for only critical velocity	
540 r.p.m.	1000 r.p.m.
Max. -	Max. -
L max. -	L max. -

Customer: ---  
Date: 27-09-12

Continuous operation data and conditions, working angle 5°, average life 1000 hours

Checked: Signed by: E.B.